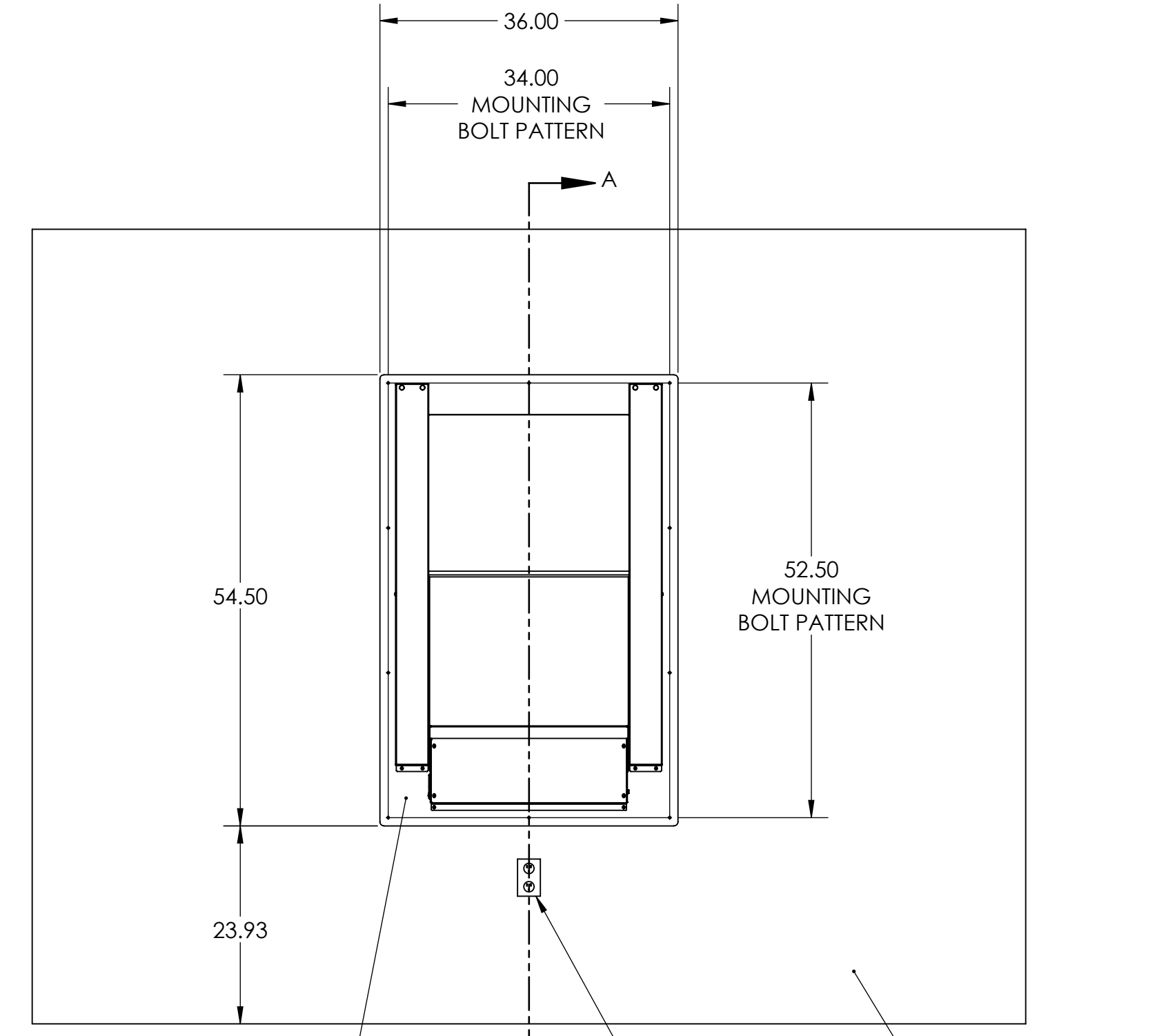
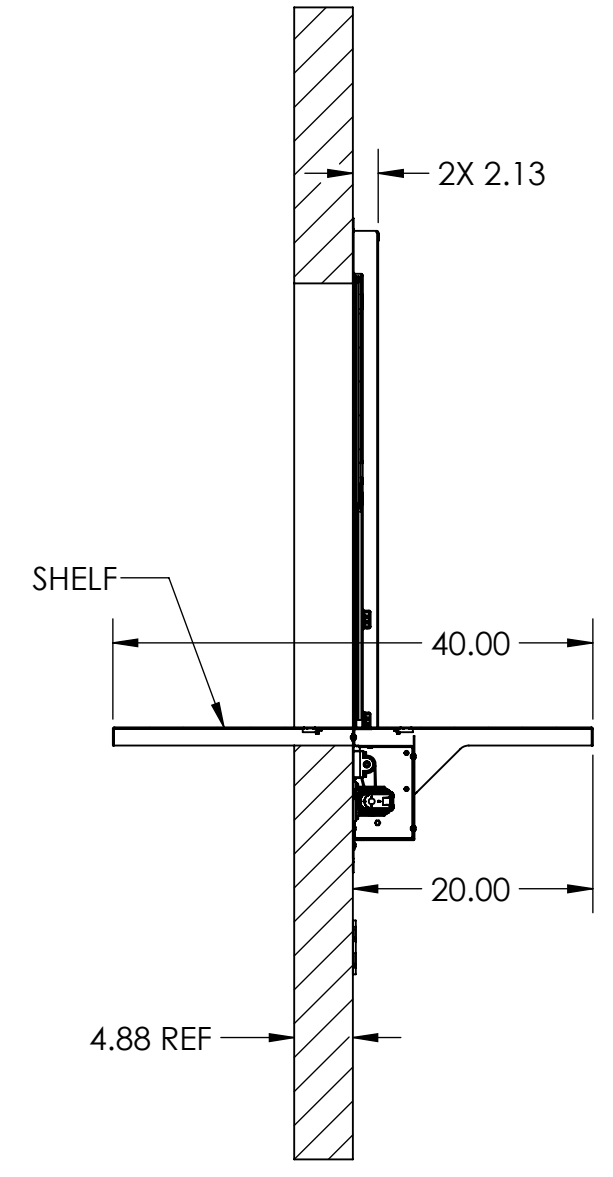
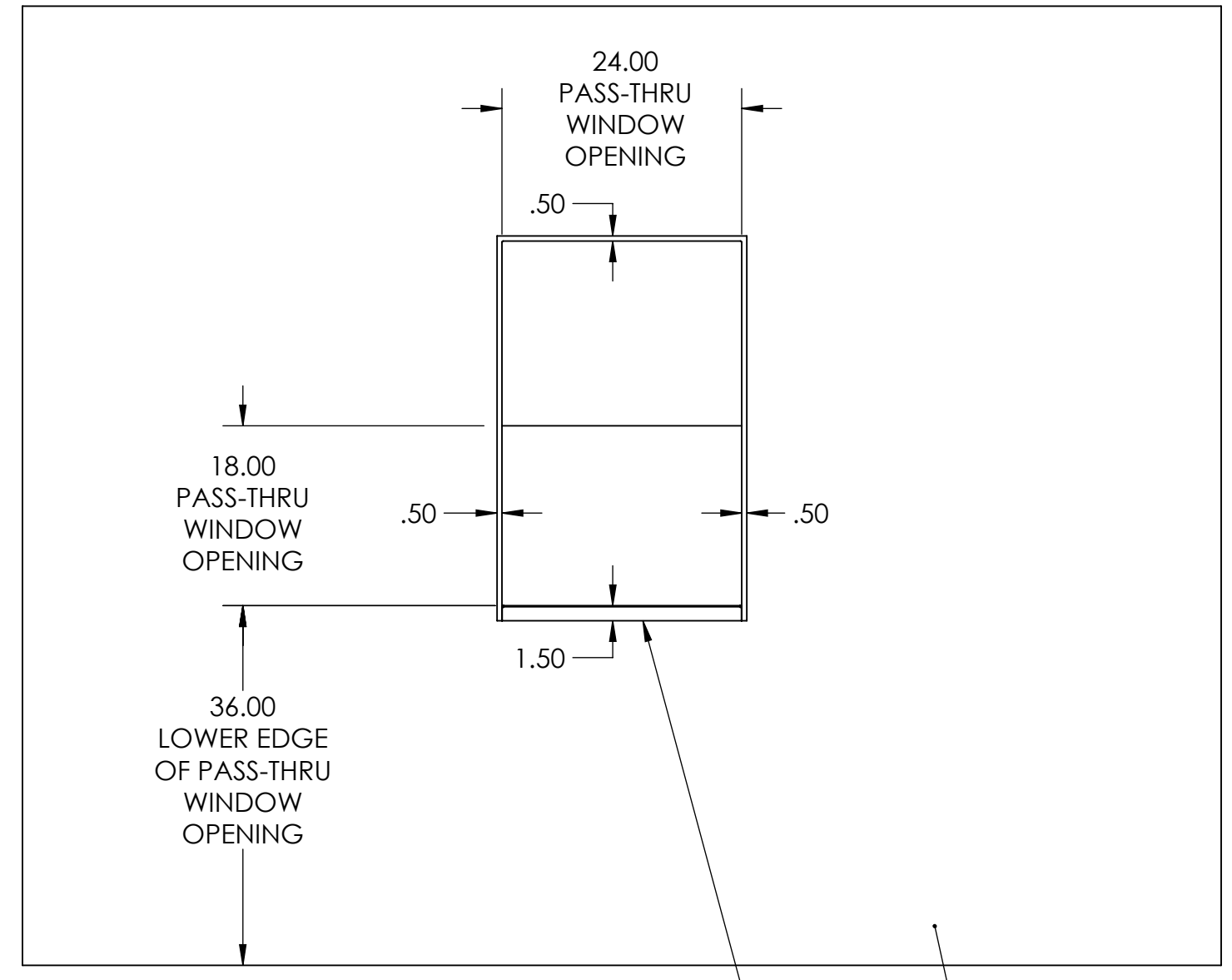


REVISIONS				
ZONE	REV.	DESCRIPTION	DATE	APPROVED
	A	INITIAL RELEASE	4/18/15	MSC



CLEAN ROOM SIDE

PACKAGING ROOM SIDE

- NOTES:
1. SHELF OF THE CRD311 PASS-THRU WINDOW SITS DIRECTLY ON THE WINDOW OPENING LEDGE, CENTER UNIT WITHIN THE WINDOW OPENING
  2. ATTACH CRD311 PASS-THRU WINDOW TO WALL USING 10X #14 TRUSS HEAD SHEET METAL SCREWS, #3 PHILLIPS DRIVE, 18-8 SS, .216" DIA X 1.5" LONG, McMASTER-CARR P/N 93406A318
  3. POWER FOR UNIT SHOULD BE 120VAC-15AMP CIRCUIT, 6-FOOT POWER CORD IS SUPPLIED

**PROPRIETARY AND CONFIDENTIAL**  
 THE INFORMATION CONTAINED IN THIS DRAWING IS THE SOLE PROPERTY OF CLEAN ROOM DEVICES, LLC. ANY REPRODUCTION IN PART OR AS A WHOLE WITHOUT THE WRITTEN PERMISSION OF CLEAN ROOM DEVICES, LLC IS PROHIBITED.

UNLESS OTHERWISE SPECIFIED:		DRAWN	NAME	DATE	CLEAN ROOM DEVICES, LLC
DIMENSIONS ARE IN INCHES		CHECKED	MSC	4/18/15	
TOLERANCES:		ENG APPR.			
FRACTIONAL ±1/16		MFG APPR.			
ANGULAR: MACHINED ±0.5° BEND ±2°		Q.A.			
TWO PLACE DECIMAL ±.01		COMMENTS:			TITLE: <b>INSTALLATION, CRD311</b>
THREE PLACE DECIMAL ±.005					
INTERPRET GEOMETRIC TOLERANCING PER: ANSI Y14.5		MATERIAL		SEE NOTES	SIZE
FINISH		SEE NOTES		DO NOT SCALE DRAWING	DWG. NO.
NEXT ASSY	USED ON				<b>C</b>
					<b>311-001</b>
					REV
					<b>A</b>
					SCALE: 1:16
					WEIGHT:
					SHEET 1 OF 1