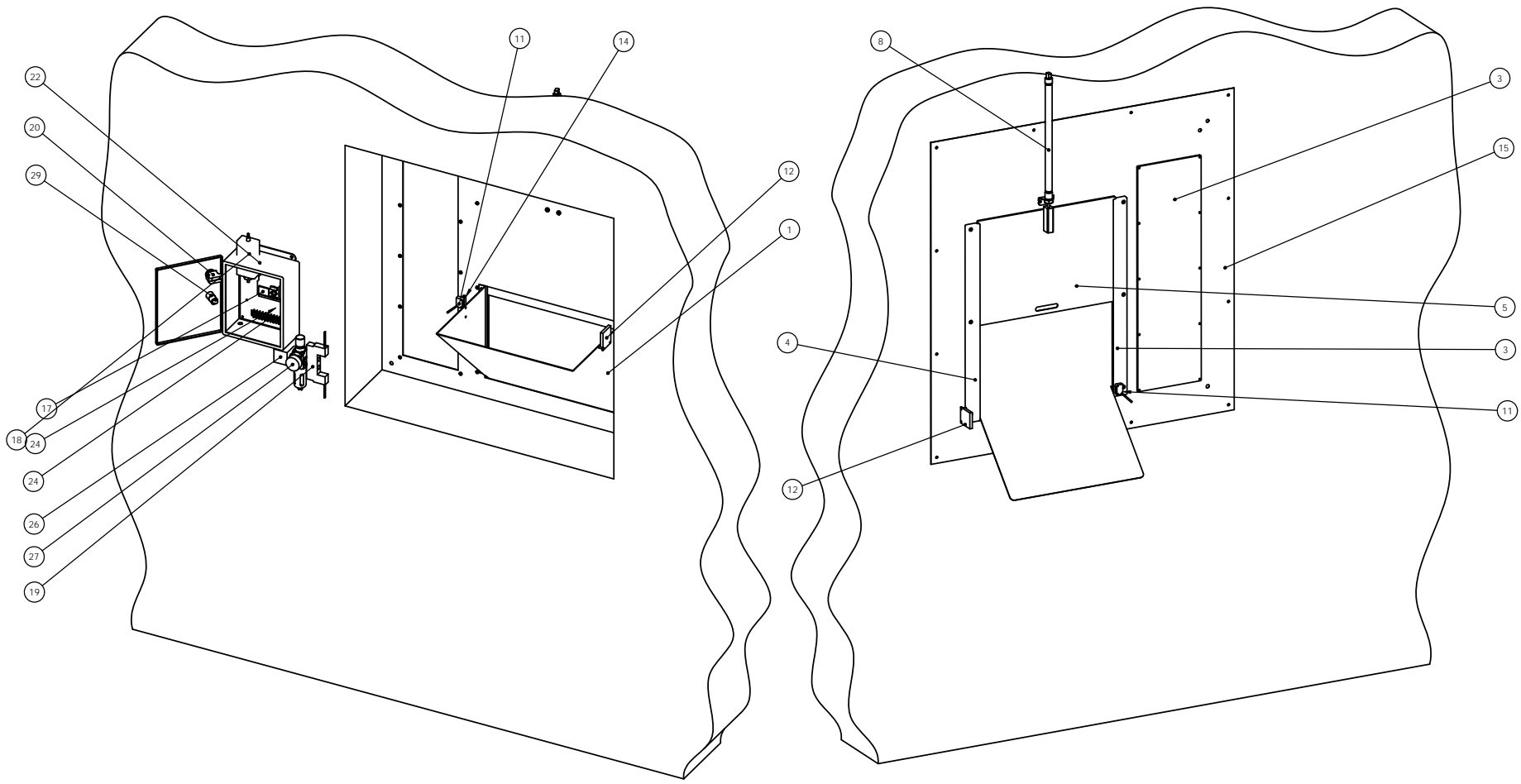


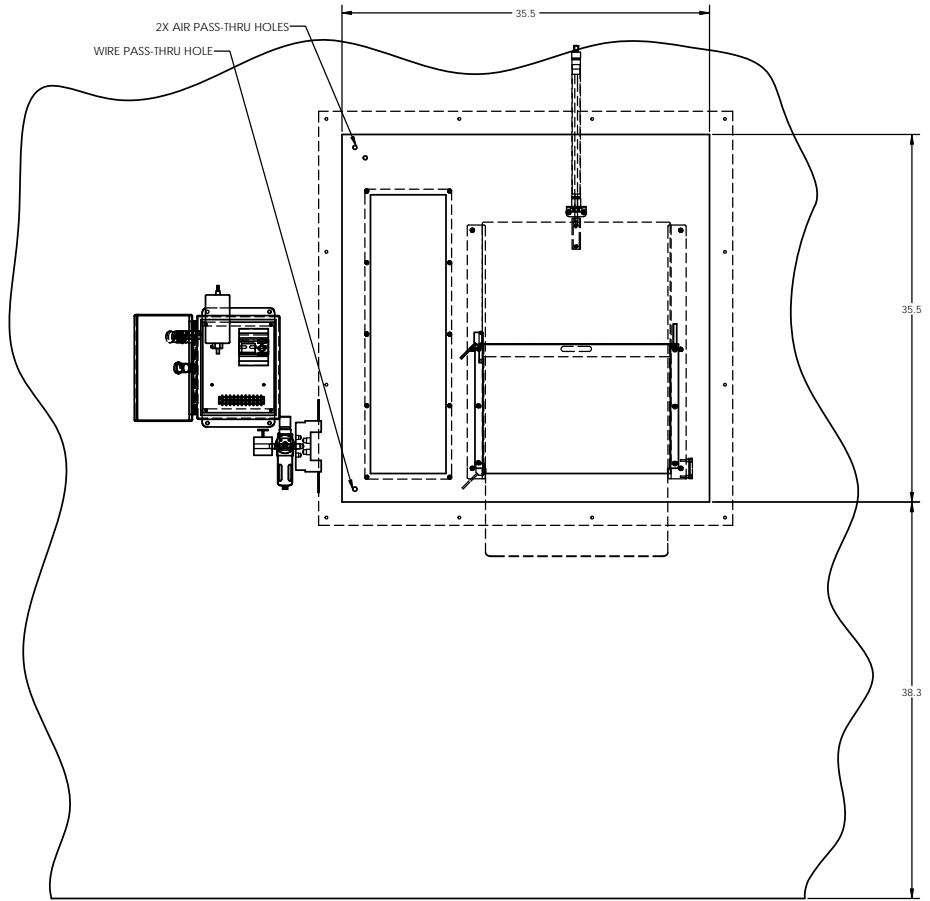
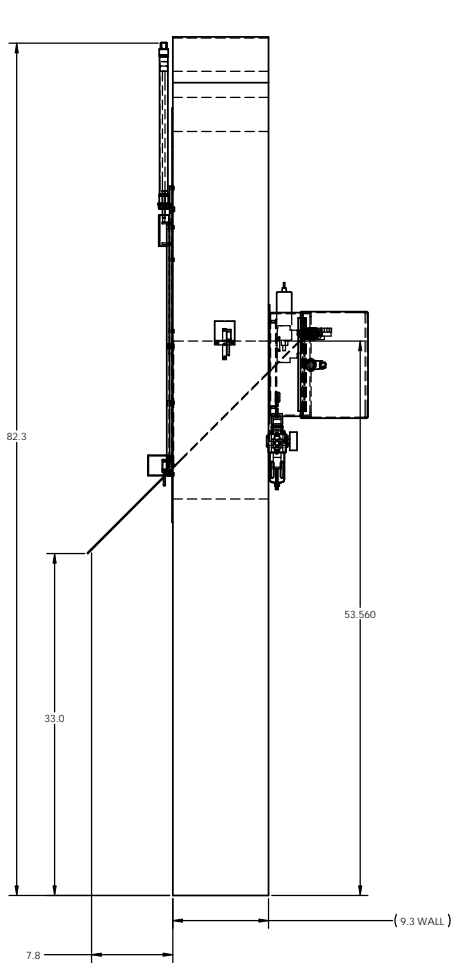
FILE NAME: PassThru Assy



REV	DESCRIPTION	CHG BY	ECO BY	ECO NO.	EFF. DATE
D1	INITIAL RELEASE	JP			

REVISION LOG

		TITLE: PASS THROUGH WINDOW	
Baxa Corporation • 8845 Grasslands Drive Englewood, CO 80112-2062 • 303-690-4200			
THIRD ANGLE PROJECTION 	SO NO. CD-8 97-1	DWG. NO. XXXX-XXXX-XX	SCALE 1:16
DESIGNED BY JON PAGE	PART NO. XXXX-XXXX	SHEET 1 OF 2	



CLEAN ROOM SIDE

REV	DESCRIPTION	CHG BY	ECO BY	ECO NO.	EFF. DATE
D1	INITIAL RELEASE	JP			

REVISION LOG

**Baxa**  
 Baxa Corporation • 8845 Grasslands Drive  
 Englewood, CO 80112-2062 • 303-690-4304

THIRD ANGLE PROJECTION

DATE: **D** 10/11/11  
 DRAWN BY: JON PAGE

TITLE: PASS THROUGH WINDOW

DWG. NO. XXXXX-XXXX-XX  
 PART NO. XXXX-XXXX

SCALE: 1:16  
 REV: 2 OF 2

FILE NAME: PassThru Assy