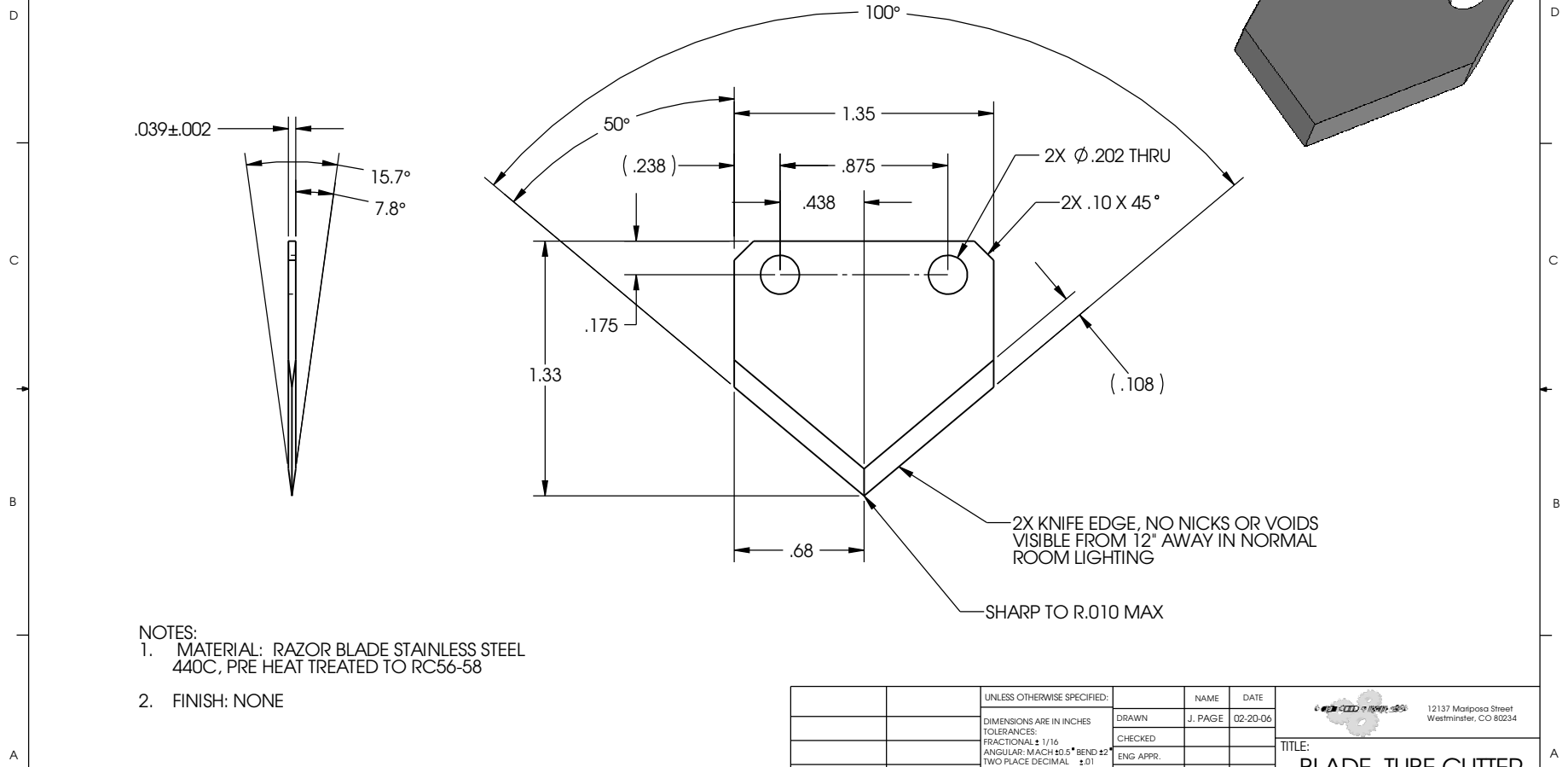


8 7 6 5 4 3 2 1



- NOTES:  
 1. MATERIAL: RAZOR BLADE STAINLESS STEEL  
 440C, PRE HEAT TREATED TO RC56-58  
 2. FINISH: NONE

**PROPRIETARY AND CONFIDENTIAL**  
 THE INFORMATION CONTAINED IN THIS DRAWING IS THE SOLE PROPERTY OF CLEAN ROOM DEVICES, LLC. ANY REPRODUCTION IN PART OR AS A WHOLE WITHOUT THE WRITTEN PERMISSION OF CLEAN ROOM DEVICES, LLC IS PROHIBITED.

		UNLESS OTHERWISE SPECIFIED:	NAME	DATE
		DIMENSIONS ARE IN INCHES	DRAWN	J. PAGE
		TOLERANCES:	CHECKED	02-20-06
		FRACTIONAL ± 1/16	ENG APPR.	
		ANGULAR: MACH ± 0.5° BEND ± 2°	MFG APPR.	
		TWO PLACE DECIMAL ± .01	Q.A.	
		THREE PLACE DECIMAL ± .005	COMMENTS:	
		INTERPRET GEOMETRIC TOLERANCING PER:		
		MATERIAL:		
		SEE NOTES		
NEXT ASSY	USED ON	FINISH		
		SEE NOTES		
APPLICATION		DO NOT SCALE DRAWING		

12137 Mariposa Street  
Westminster, CO 80234

TITLE:  
**BLADE, TUBE CUTTER**

SIZE	DWG. NO.	REV
<b>B</b>	CD001-P07	<b>2</b>

SCALE: 2:1    WEIGHT:    SHEET 1 OF 1

8 7 6 5 4 3 2 1