

8 7 6 5 4 3 2 1

D

C

B

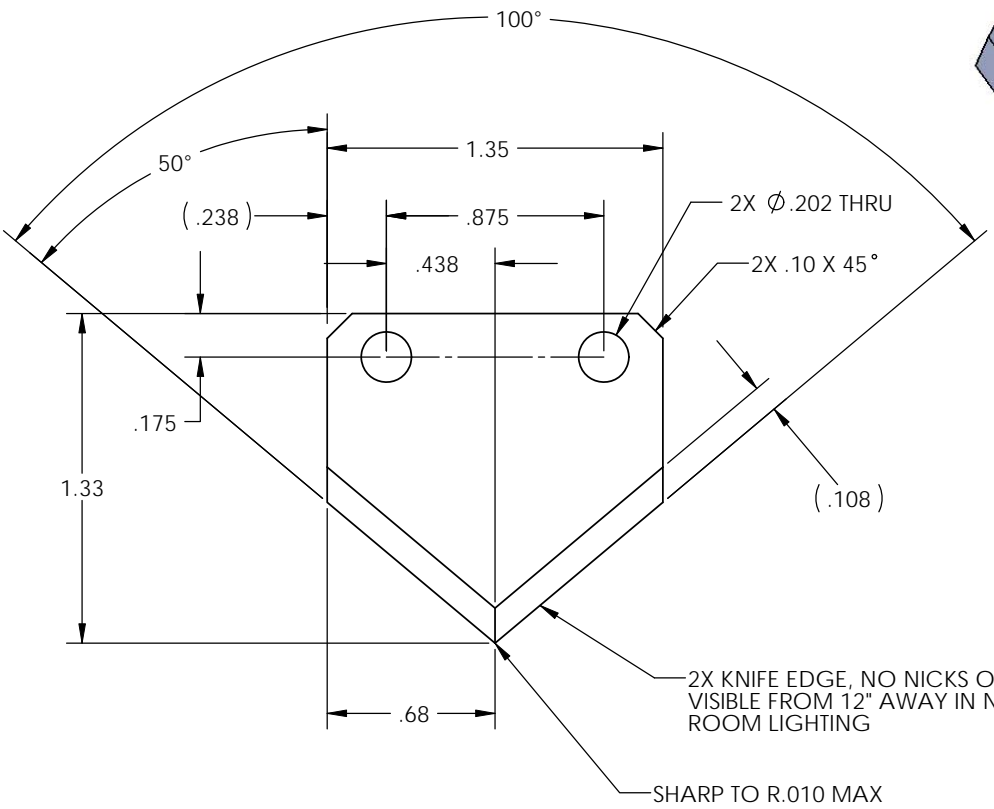
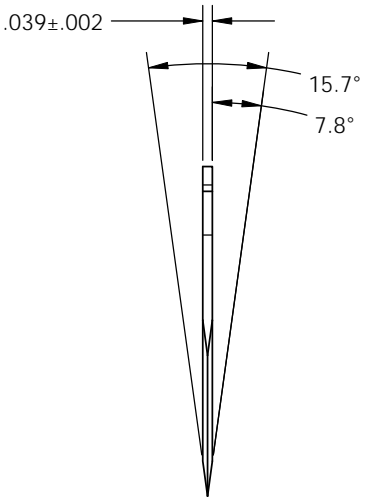
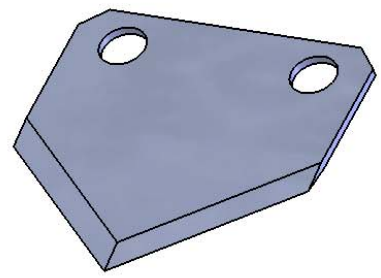
A

D

C

B

A



2X KNIFE EDGE, NO NICKS OR VOIDS VISIBLE FROM 12" AWAY IN NORMAL ROOM LIGHTING

SHARP TO R.010 MAX

- NOTES:
 1. MATERIAL: RAZOR BLADE STAINLESS STEEL 440C, PRE HEAT TREATED TO RC56-58
 2. FINISH: NONE

PROPRIETARY AND CONFIDENTIAL
 THE INFORMATION CONTAINED IN THIS DRAWING IS THE SOLE PROPERTY OF CLEAN ROOM DEVICES, LLC. ANY REPRODUCTION IN PART OR AS A WHOLE WITHOUT THE WRITTEN PERMISSION OF CLEAN ROOM DEVICES, LLC IS PROHIBITED.

		UNLESS OTHERWISE SPECIFIED:		NAME	DATE	Clean Room Devices, LLC 12137 Mariposa Street Westminister, CO 80234	
		DIMENSIONS ARE IN INCHES		DRAWN	J. PAGE	02-20-06	TITLE: BLADE, TUBE CUTTER
		TOLERANCES:		CHECKED			
		FRACTIONAL ± 1/16		ENG APPR.			
		ANGULAR: MACH ± 0.5° BEND ± 2°		MFG APPR.			
		TWO PLACE DECIMAL ± .01		Q.A.			SIZE DWG. NO. REV
		THREE PLACE DECIMAL ± .005		COMMENTS:			B CD001-P07 2
		INTERPRET GEOMETRIC TOLERANCING PER:					SCALE: 2:1 WEIGHT: SHEET 1 OF 1
		MATERIAL					
		SEE NOTES					
NEXT ASSY	USED ON	FINISH					
		SEE NOTES					
APPLICATION		DO NOT SCALE DRAWING					

8 7 6 5 4 3 2 1