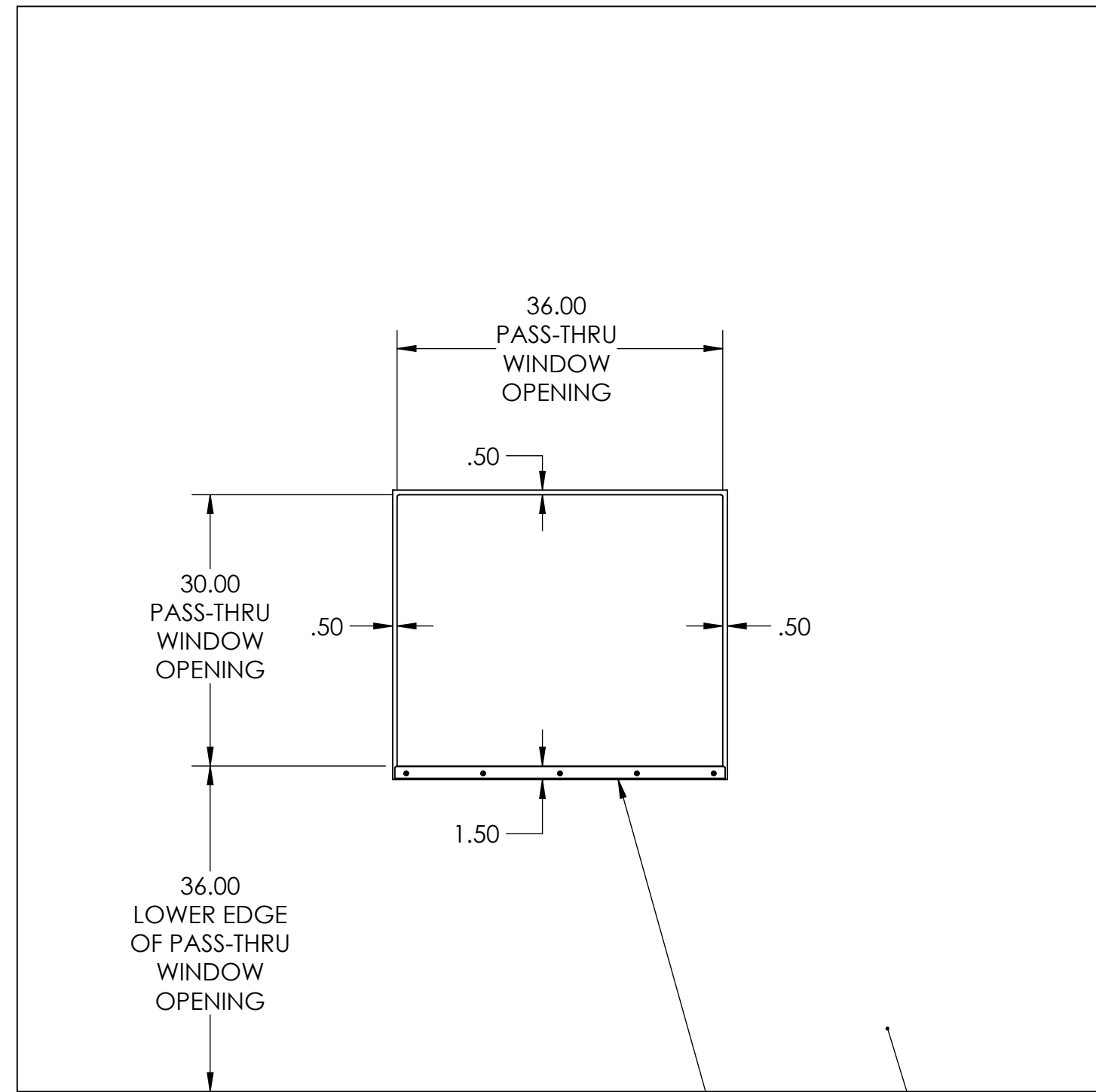
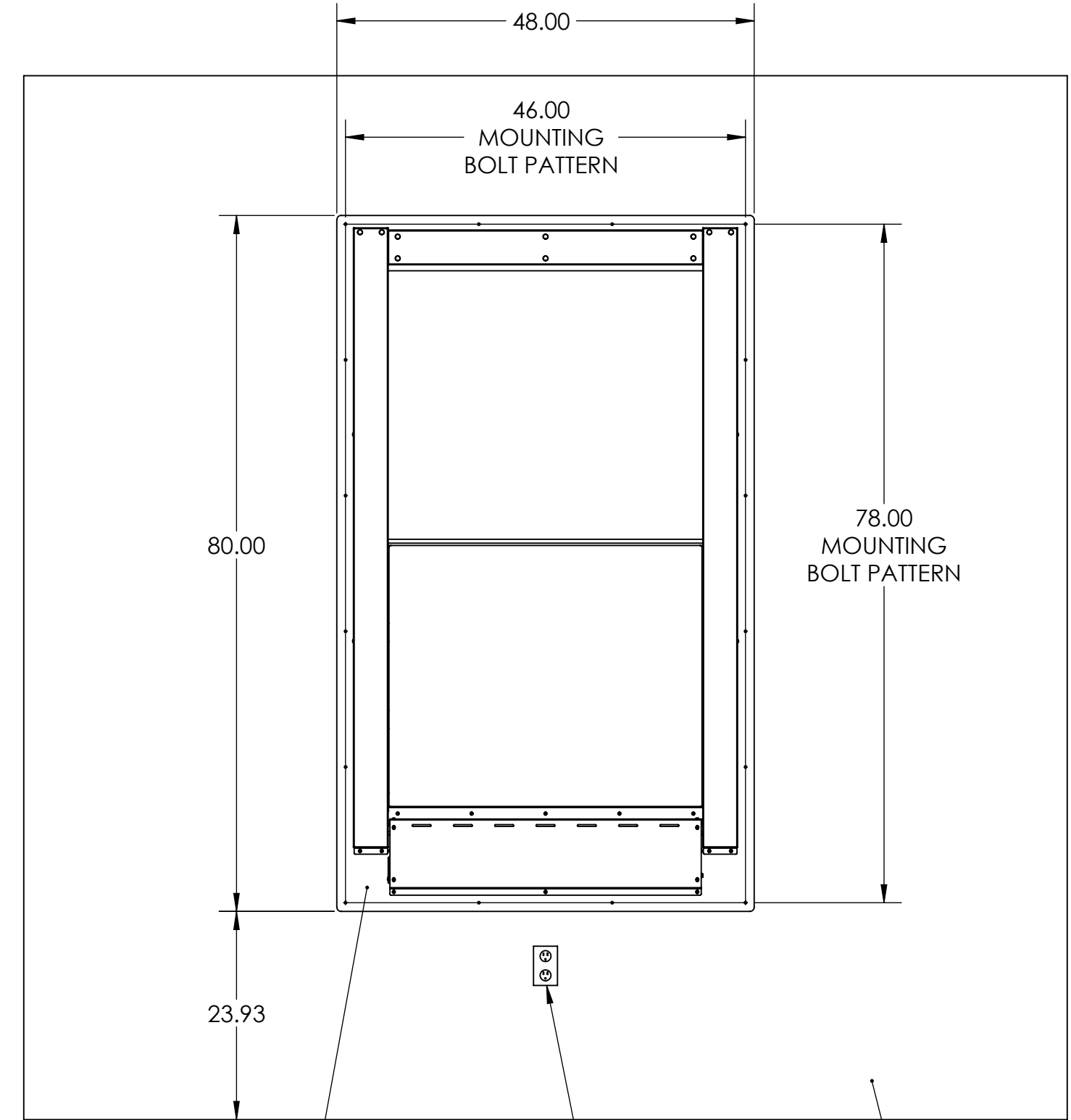
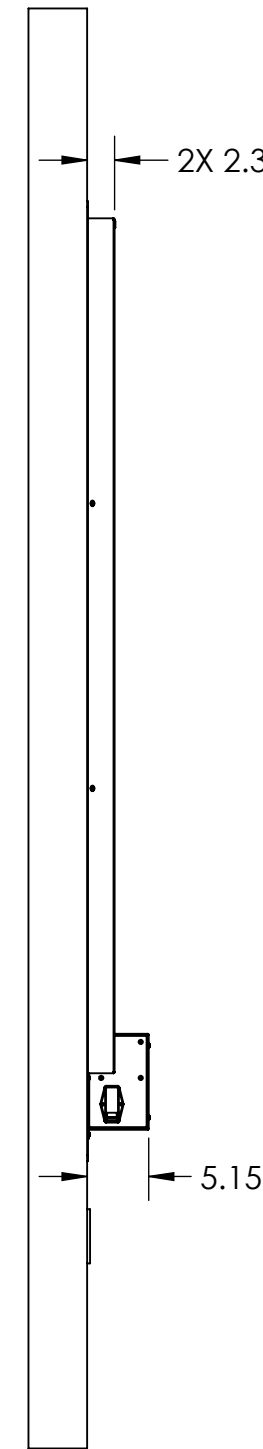


REVISIONS				
ZONE	REV.	DESCRIPTION	DATE	APPROVED
	A	INITIAL RELEASE	4/10/14	MSC
	B	ADDED SIDE VIEW	4/17/15	MSC



CLEAN ROOM SIDE



PACKAGING ROOM SIDE

- NOTES:
1. LOCATING BRACKET OF THE CRD330 PASS-THRU WINDOW SITS DIRECTLY ON THE WINDOW OPENING LEDGE, CENTER UNIT WITHIN THE WINDOW OPENING
  2. ATTACH CRD330 PASS-THRU WINDOW TO WALL USING 16X #14 TRUSS HEAD SHEET METAL SCREWS, #3 PHILLIPS DRIVE, 18-8 SS, .216" DIA X 1.5" LONG, McMASTER-CARR P/N 93406A318
  3. POWER FOR UNIT SHOULD BE 120VAC-15AMP CIRCUIT, 6-FOOT POWER CORD IS SUPPLIED

**PROPRIETARY AND CONFIDENTIAL**  
 THE INFORMATION CONTAINED IN THIS DRAWING IS THE SOLE PROPERTY OF CLEAN ROOM DEVICES, LLC. ANY REPRODUCTION IN PART OR AS A WHOLE WITHOUT THE WRITTEN PERMISSION OF CLEAN ROOM DEVICES, LLC IS PROHIBITED.

UNLESS OTHERWISE SPECIFIED:		NAME	DATE
DIMENSIONS ARE IN INCHES		DRAWN	MSC
TOLERANCES:		CHECKED	4/10/14
FRACTIONAL ±1/16		ENG APPR.	
ANGULAR: MACHINED ±0.5°		MFG APPR.	
BEND ±2°		Q.A.	
TWO PLACE DECIMAL ±.01		COMMENTS:	
THREE PLACE DECIMAL ±.005			
INTERPRET GEOMETRIC TOLERANCING PER: ANSI Y14.5			
MATERIAL			
SEE NOTES			
FINISH			
SEE NOTES			
NEXT ASSY	USED ON		
APPLICATION			
DO NOT SCALE DRAWING			

CLEAN ROOM DEVICES, LLC		
TITLE: <b>INSTALLATION, CRD330</b>		
SIZE <b>C</b>	DWG. NO. <b>330-022</b>	REV <b>B</b>
SCALE: 1:16 WEIGHT:		SHEET 1 OF 1