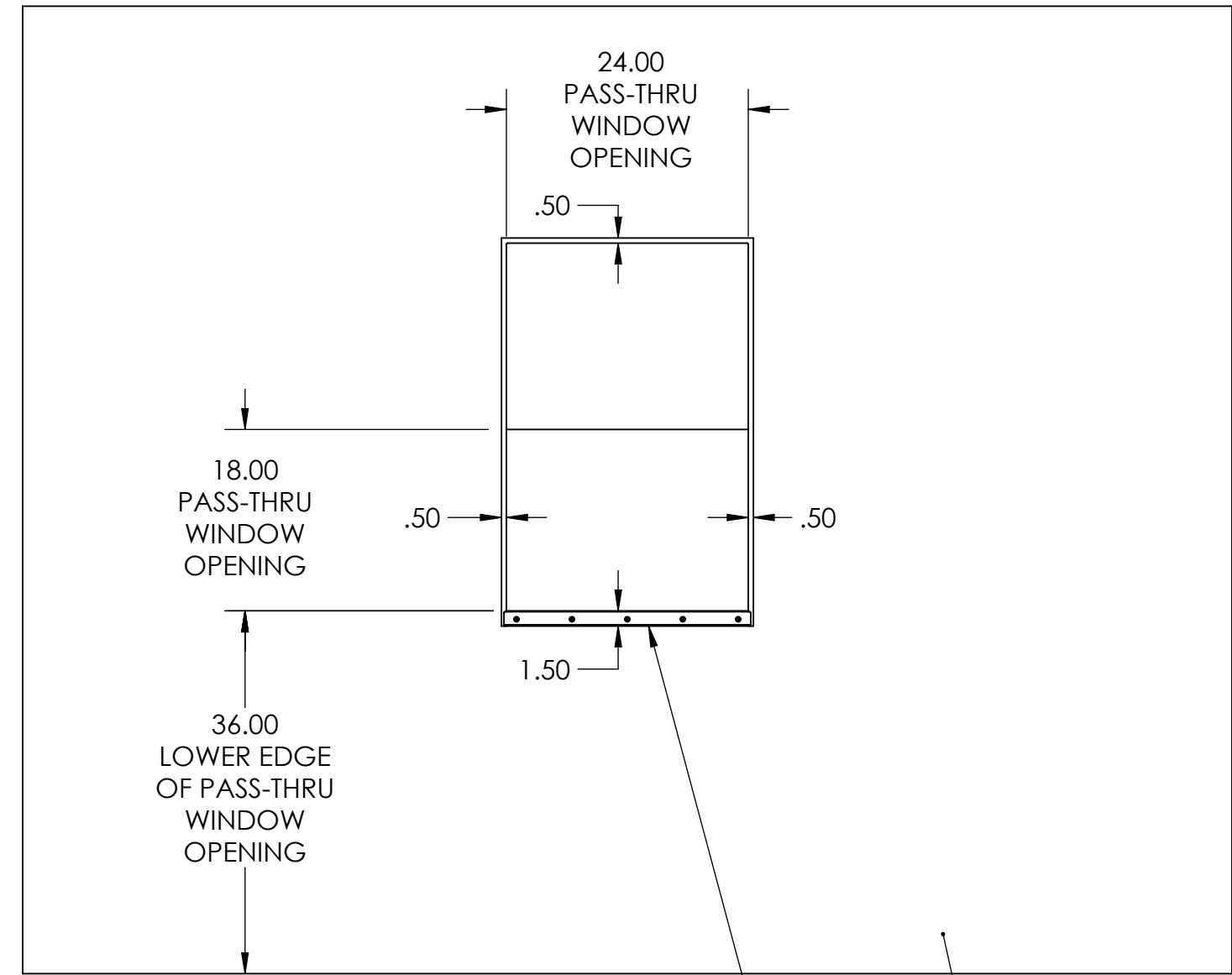
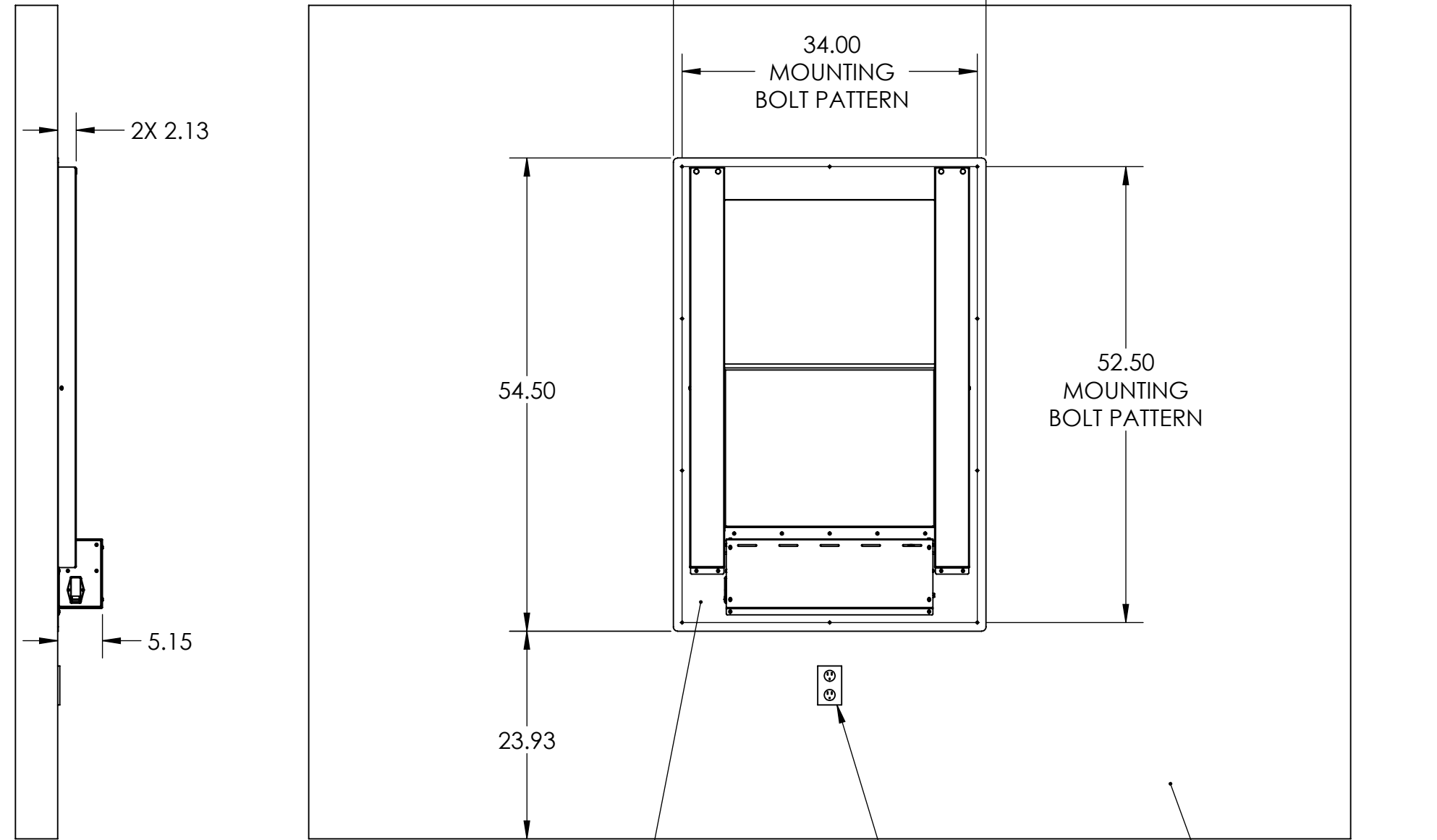


REVISIONS				
ZONE	REV.	DESCRIPTION	DATE	APPROVED
	A	INITIAL RELEASE	4/22/14	MSC
	B	ADDED SIDE VIEW	4/17/15	MSC



CLEAN ROOM SIDE



PACKAGING ROOM SIDE

FINISHED WALL
LOCATING BRACKET OF PASS-THRU WINDOW SITS DIRECTLY ON WALL OPENING LEDGE

CRD321 PASS-THRU WINDOW
120VAC-15A ELECTRICAL OUTLET
FINISHED WALL

- NOTES:
- LOCATING BRACKET OF THE CRD321 PASS-THRU WINDOW SITS DIRECTLY ON THE WINDOW OPENING LEDGE, CENTER UNIT WITHIN THE WINDOW OPENING
 - ATTACH CRD321 PASS-THRU WINDOW TO WALL USING 10X #14 TRUSS HEAD SHEET METAL SCREWS, #3 PHILLIPS DRIVE, 18-8 SS, .216" DIA X 1.5" LONG, McMASTER-CARR P/N 93406A318
 - POWER FOR UNIT SHOULD BE 120VAC-15AMP CIRCUIT, 6-FOOT POWER CORD IS SUPPLIED

PROPRIETARY AND CONFIDENTIAL
THE INFORMATION CONTAINED IN THIS DRAWING IS THE SOLE PROPERTY OF CLEAN ROOM DEVICES, LLC. ANY REPRODUCTION IN PART OR AS A WHOLE WITHOUT THE WRITTEN PERMISSION OF CLEAN ROOM DEVICES, LLC IS PROHIBITED.

UNLESS OTHERWISE SPECIFIED: DIMENSIONS ARE IN INCHES TOLERANCES: FRACTIONAL ±1/16 ANGULAR: MACHINED ±0.5° BEND ±2° TWO PLACE DECIMAL ±.01 THREE PLACE DECIMAL ±.005		DRAWN MSC 4/22/14	NAME MSC	DATE 4/22/14	CLEAN ROOM DEVICES, LLC TITLE: INSTALLATION, CRD321
INTERPRET GEOMETRIC TOLERANCING PER: ANSI Y14.5		CHECKED	ENG APPR.	MFG APPR.	
MATERIAL SEE NOTES		Q.A.	COMMENTS:		
FINISH SEE NOTES	DO NOT SCALE DRAWING	APPLICATION	USED ON	SCALE: 1:16	DWG. NO. C 321-003
				WEIGHT:	REV B
				SHEET 1 OF 1	