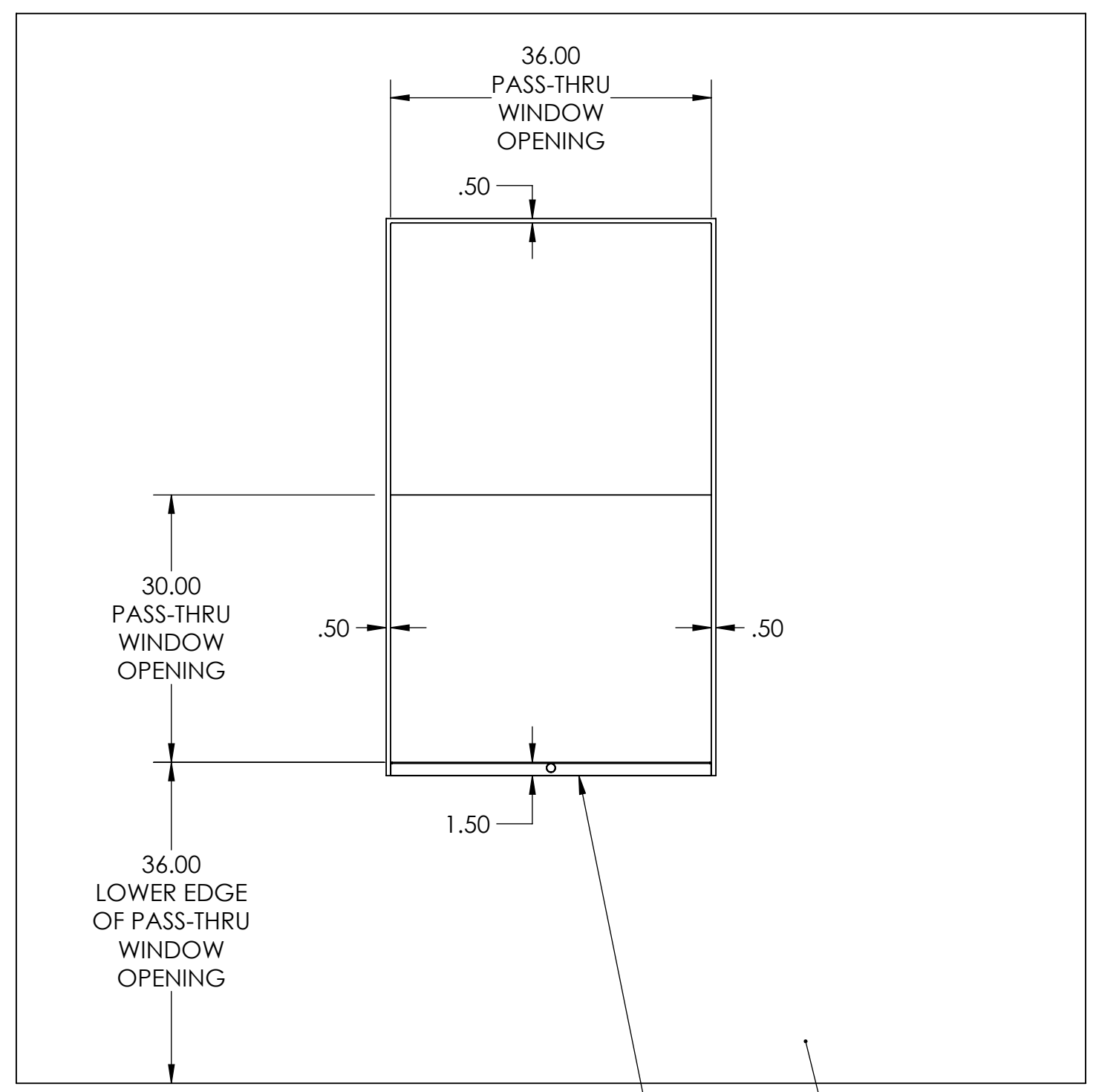
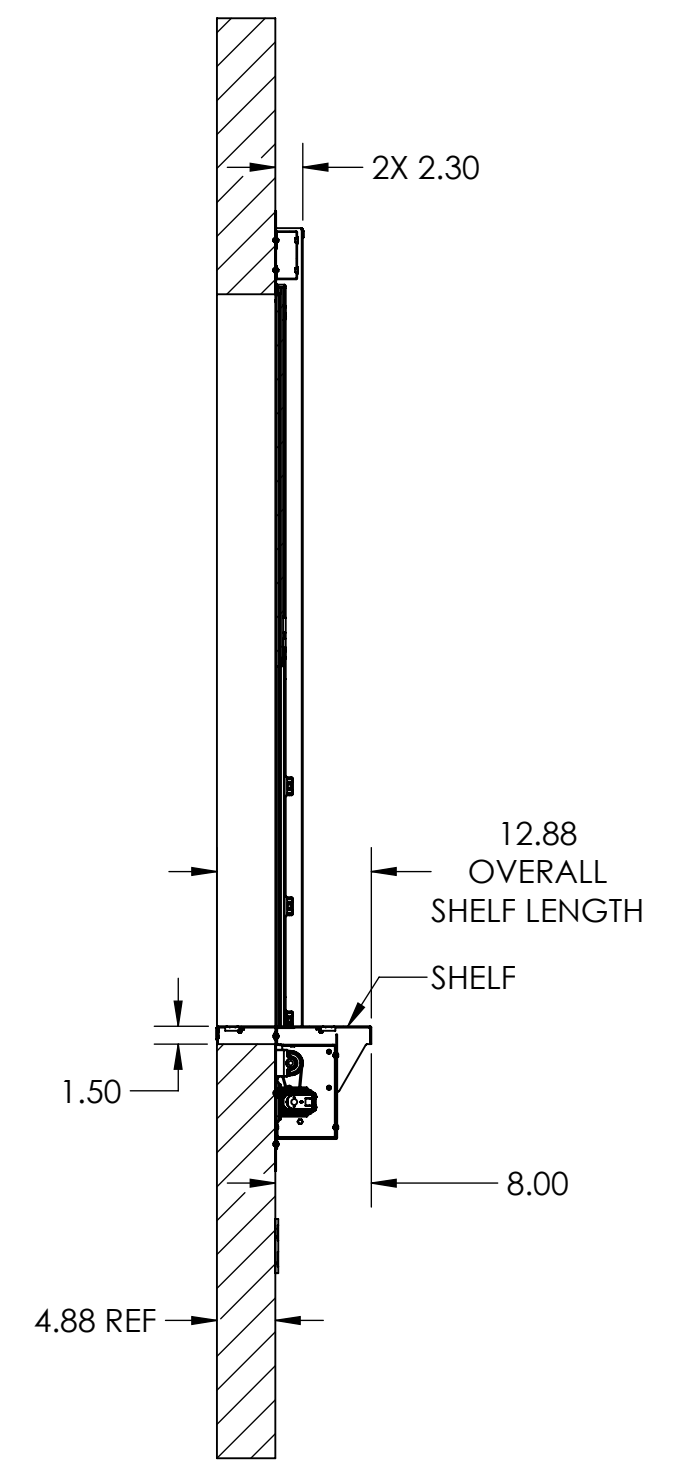


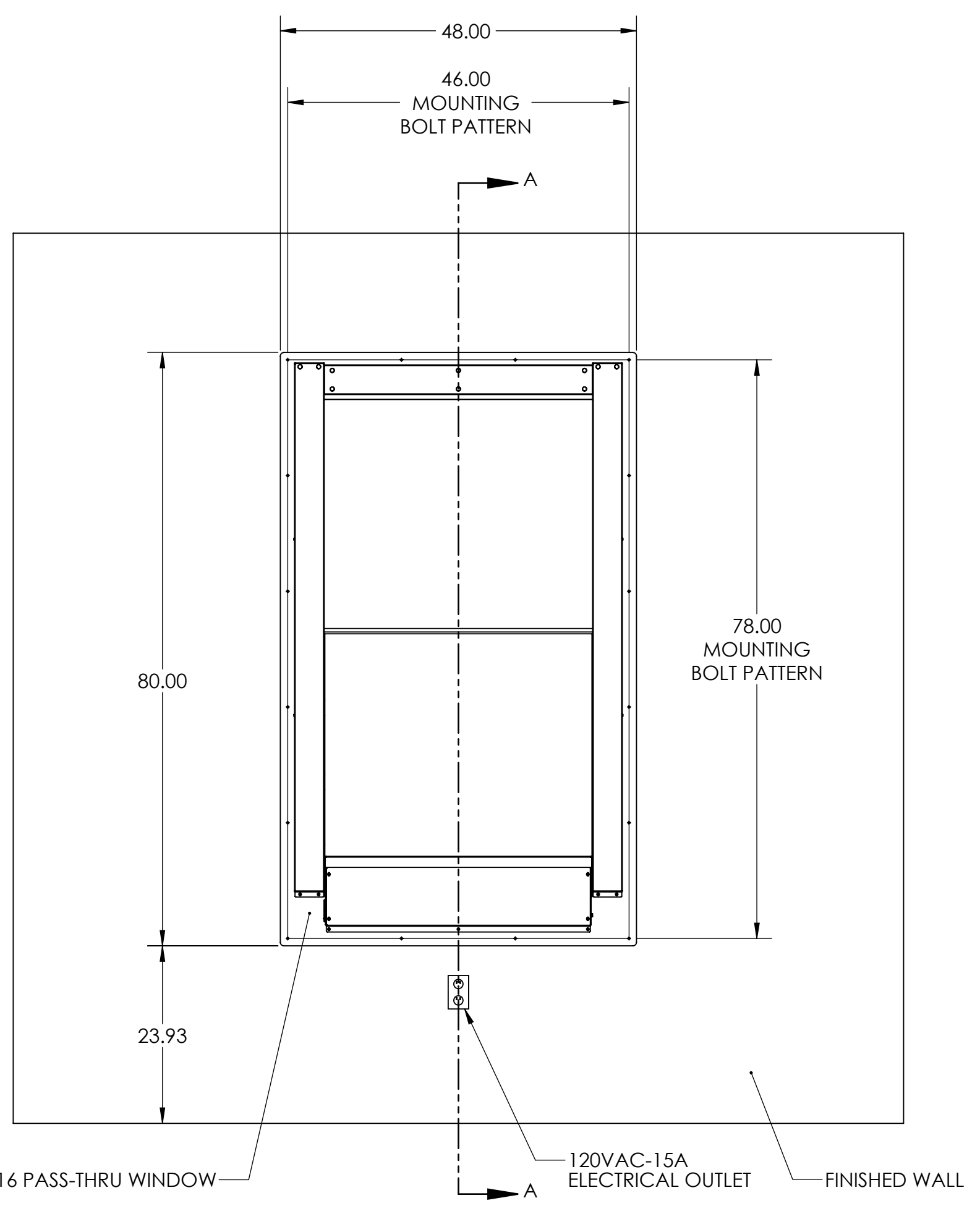
REVISIONS				
ZONE	REV.	DESCRIPTION	DATE	APPROVED
	A	INITIAL RELEASE	4/18/15	MSC



CLEAN ROOM SIDE



SECTION A-A



PACKAGING ROOM SIDE

- NOTES:
1. SHELF OF THE CRD316 PASS-THRU WINDOW SITS DIRECTLY ON THE WINDOW OPENING LEDGE, CENTER UNIT WITHIN THE WINDOW OPENING
 2. ATTACH CRD316 PASS-THRU WINDOW TO WALL USING 16X #14 TRUSS HEAD SHEET METAL SCREWS, #3 PHILLIPS DRIVE, 18-8 SS, .216" DIA X 1.5" LONG, McMASTER-CARR P/N 93406A318
 3. POWER FOR UNIT SHOULD BE 120VAC-15AMP CIRCUIT, 6-FOOT POWER CORD IS SUPPLIED

PROPRIETARY AND CONFIDENTIAL
 THE INFORMATION CONTAINED IN THIS DRAWING IS THE SOLE PROPERTY OF CLEAN ROOM DEVICES, LLC. ANY REPRODUCTION IN PART OR AS A WHOLE WITHOUT THE WRITTEN PERMISSION OF CLEAN ROOM DEVICES, LLC IS PROHIBITED.

UNLESS OTHERWISE SPECIFIED:		NAME	DATE
DIMENSIONS ARE IN INCHES	DRAWN	MSC	4/18/15
TOLERANCES:	CHECKED		
FRACTIONAL ±1/16	ENG APPR.		
ANGULAR: MACHINED ±0.5°	MFG APPR.		
BEND ±2°	Q.A.		
TWO PLACE DECIMAL ±.01	COMMENTS:		
THREE PLACE DECIMAL ±.005			
INTERPRET GEOMETRIC TOLERANCING PER: ANSI Y14.5			
MATERIAL			
SEE NOTES			
FINISH			
SEE NOTES			
APPLICATION	DO NOT SCALE DRAWING		

CLEAN ROOM DEVICES, LLC		
TITLE: INSTALLATION, CRD316		
SIZE C	DWG. NO. 316-001	REV A
SCALE: 1:16	WEIGHT:	SHEET 1 OF 1