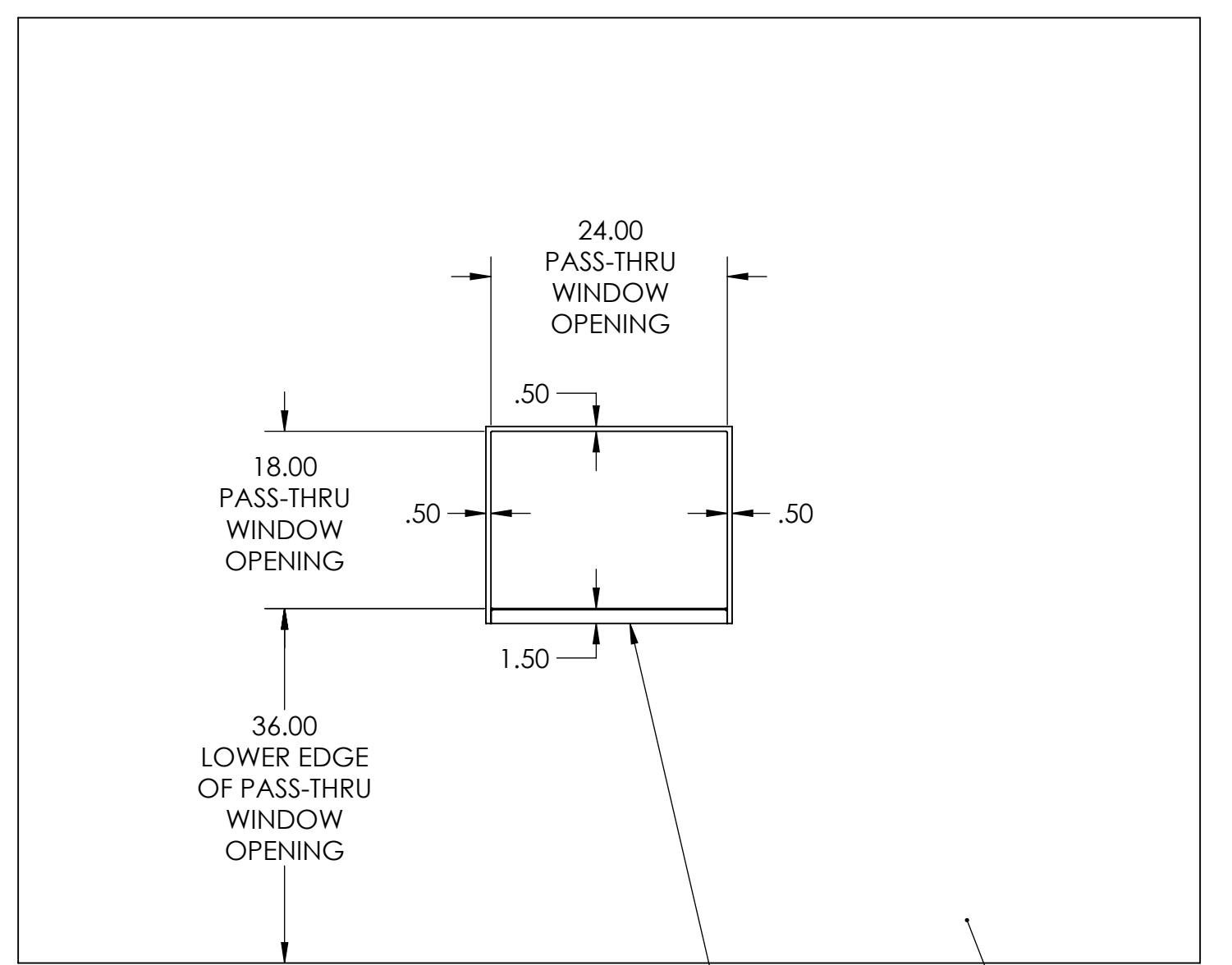
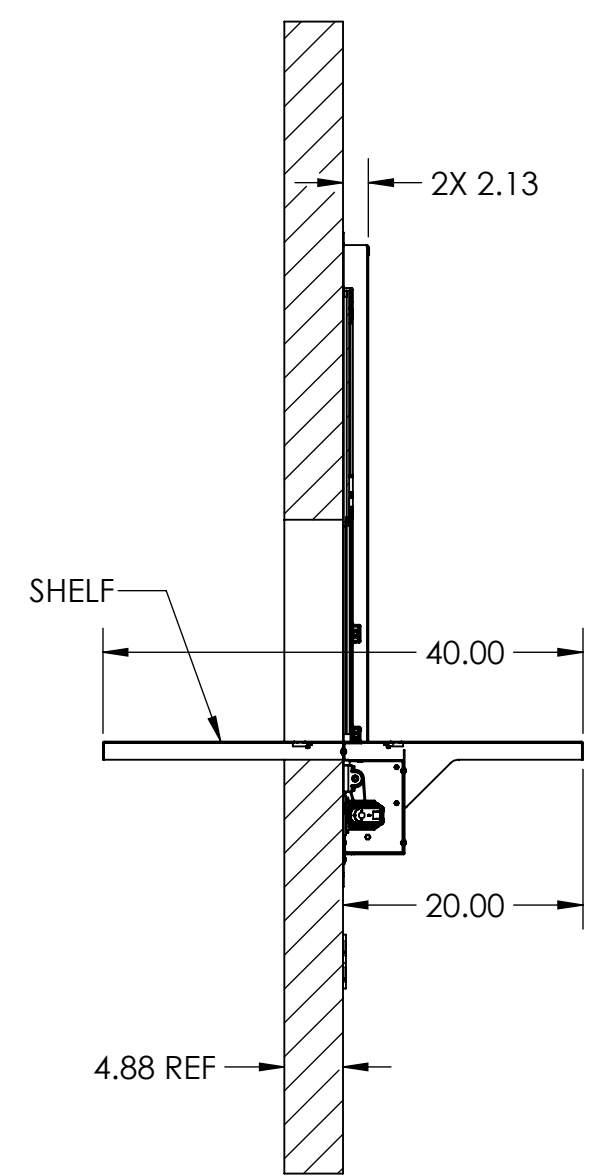


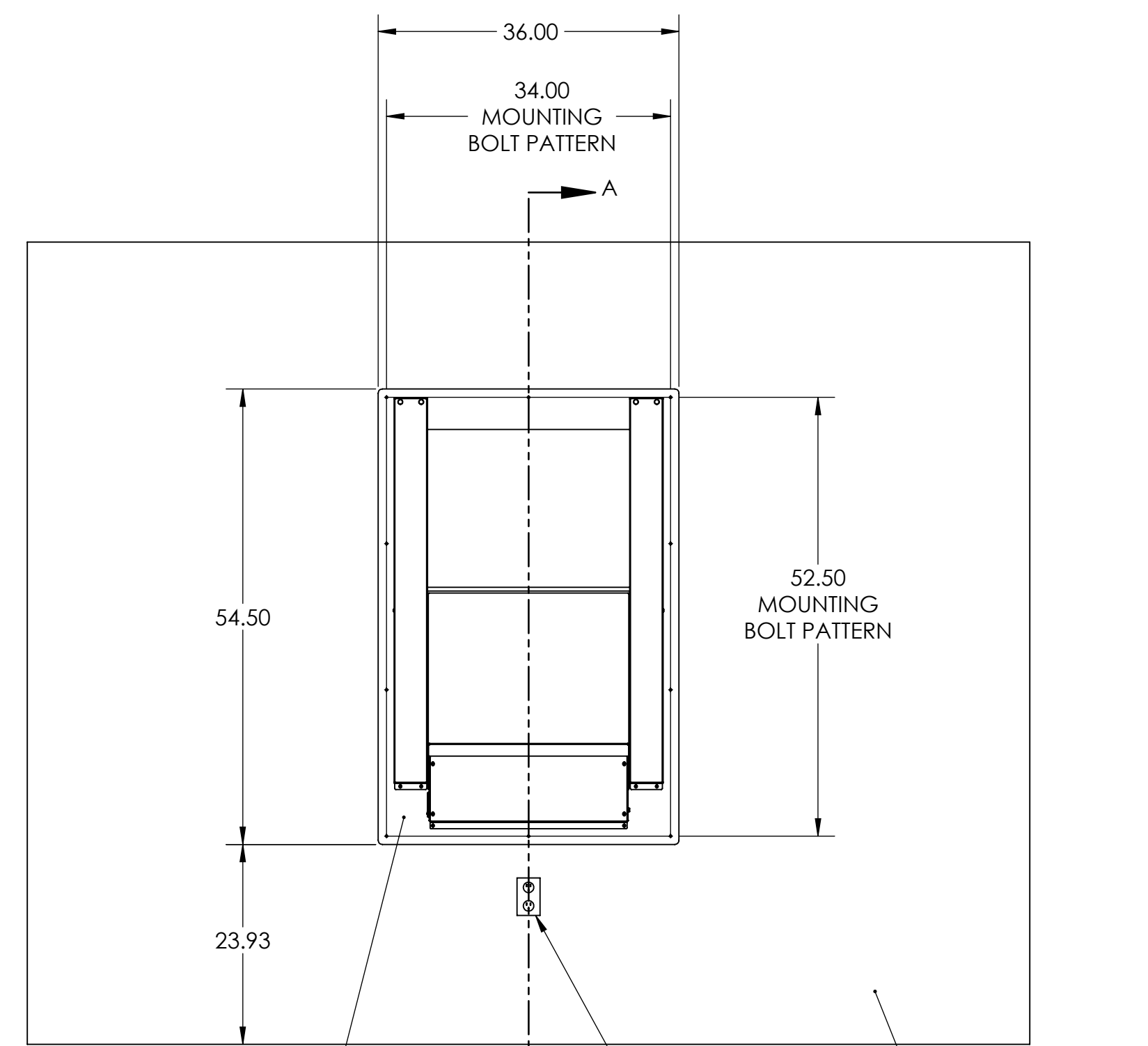
REVISIONS				
ZONE	REV.	DESCRIPTION	DATE	APPROVED
	A	INITIAL RELEASE	6/17/13	MSC
	B	CENTERED CUTOUT IN WALL	10/24/13	MSC
	C	UPDATED ASSEMBLY REFERENCES	4/18/15	MSC



CLEAN ROOM SIDE



SECTION A-A



PACKAGING ROOM SIDE

- NOTES:
- SHELF OF THE CRD310 PASS-THRU WINDOW SITS DIRECTLY ON THE WINDOW OPENING LEDGE, CENTER UNIT WITHIN THE WINDOW OPENING
  - ATTACH CRD310 PASS-THRU WINDOW TO WALL USING 10X #14 TRUSS HEAD SHEET METAL SCREWS, #3 PHILLIPS DRIVE, 18-8 SS, .216" DIA X 1.5" LONG, McMASTER-CARR P/N 93406A318
  - POWER FOR UNIT SHOULD BE 120VAC-15AMP CIRCUIT, 6-FOOT POWER CORD IS SUPPLIED

**PROPRIETARY AND CONFIDENTIAL**  
 THE INFORMATION CONTAINED IN THIS DRAWING IS THE SOLE PROPERTY OF CLEAN ROOM DEVICES, LLC. ANY REPRODUCTION IN PART OR AS A WHOLE WITHOUT THE WRITTEN PERMISSION OF CLEAN ROOM DEVICES, LLC IS PROHIBITED.

UNLESS OTHERWISE SPECIFIED:		NAME	DATE	CLEAN ROOM DEVICES, LLC
DIMENSIONS ARE IN INCHES		DRAWN	MSC	
TOLERANCES:		CHECKED		TITLE: <b>INSTALLATION, CRD310</b>
FRACTIONAL ±1/16		ENG APPR.		
ANGULAR: MACHINED ±0.5° BEND ±2°		MFG APPR.		
TWO PLACE DECIMAL ±.01 THREE PLACE DECIMAL ±.005		Q.A.		SIZE DWG. NO. REV <b>C 310-051 C</b>
INTERPRET GEOMETRIC TOLERANCING PER: ANSI Y14.5		COMMENTS:		SCALE: 1:16 WEIGHT: SHEET 1 OF 1
MATERIAL	SEE NOTES			
FINISH	SEE NOTES			
NEXT ASSY	USED ON			
APPLICATION	DO NOT SCALE DRAWING			